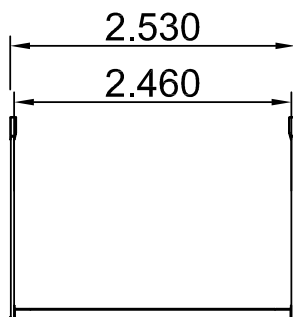


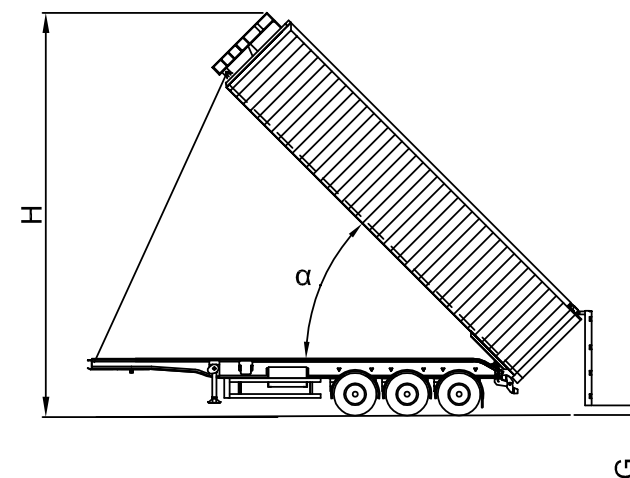
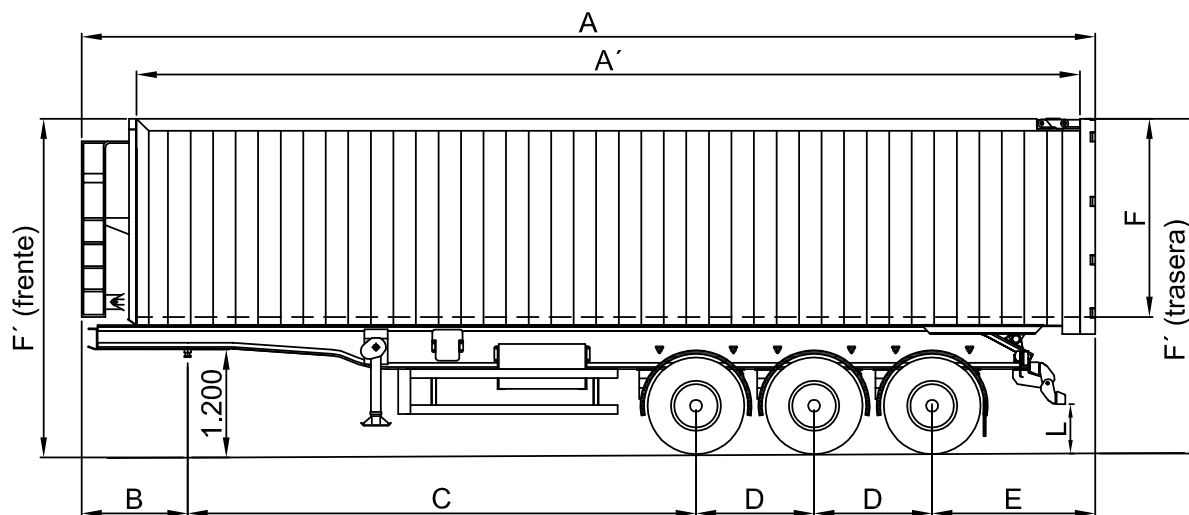
105 RECTO

CHASIS: 10270 / 1000 / 1000 RECTO

GAMA GP



| modelo | m3 | A (*) | A' | B | C | D | E (*) | L | F | FF | FT | cilindro | α | G (*) | H |
|-------------|------|--------|--------|-------|-------|-------|-------|-----|-------|-------|-------|----------|----------|-------|-------|
| GP105 H1800 | 46.1 | 11.188 | 10.400 | 1.174 | 5.650 | 1.310 | 1.744 | 523 | 1.800 | 3.380 | 3.300 | OLESA | 40,7 | 511 | 9.248 |
| GP105 H1900 | 48.6 | 11.188 | 10.400 | 1.174 | 5.650 | 1.310 | 1.744 | 523 | 1.900 | 3.480 | 3.400 | OLESA | 40,7 | 486 | 9.323 |
| GP105 H2000 | 51.2 | 11.188 | 10.400 | 1.174 | 5.650 | 1.310 | 1.744 | 523 | 2.000 | 3.580 | 3.500 | OLESA | 40,7 | 461 | 9.399 |
| GP105 H2100 | 53.7 | 11.188 | 10.400 | 1.174 | 5.650 | 1.310 | 1.744 | 523 | 2.100 | 3.680 | 3.600 | OLESA | 40,7 | 437 | 9.475 |
| GP105 H2200 | 56.3 | 11.188 | 10.400 | 1.174 | 5.650 | 1.310 | 1.744 | 523 | 2.200 | 3.780 | 3.700 | OLESA | 40,7 | 412 | 9.550 |
| GP105 H2300 | 58.8 | 11.188 | 10.400 | 1.174 | 5.650 | 1.310 | 1.744 | 523 | 2.300 | 3.880 | 3.800 | OLESA | 40,7 | 388 | 9.626 |
| GP105 H2400 | 61.4 | 11.188 | 10.400 | 1.174 | 5.650 | 1.310 | 1.744 | 523 | 2.300 | 3.980 | 3.900 | OLESA | 40,7 | 363 | 9.702 |

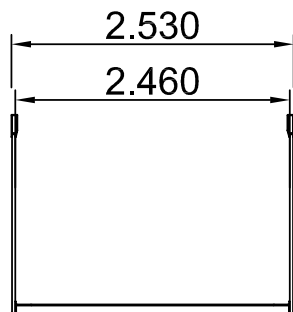


(*) DATOS CON PUERTA UNIVERSAL CON GOMA; CON PUERTA OSCILANTE CON GOMA - DISMINUYEN LAS COTAS A y E 80 mm
 - AUMENTA LA COTA G 100 mm

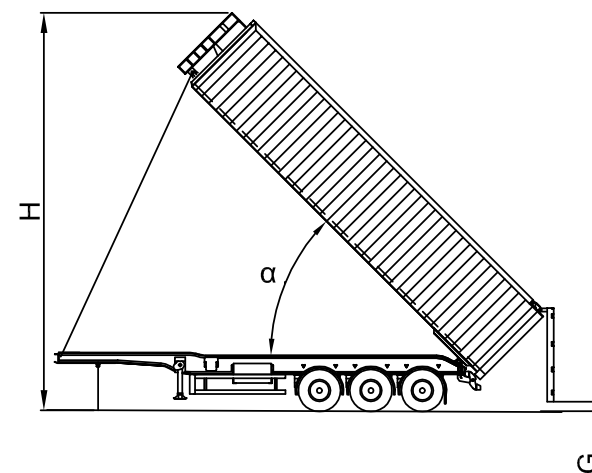
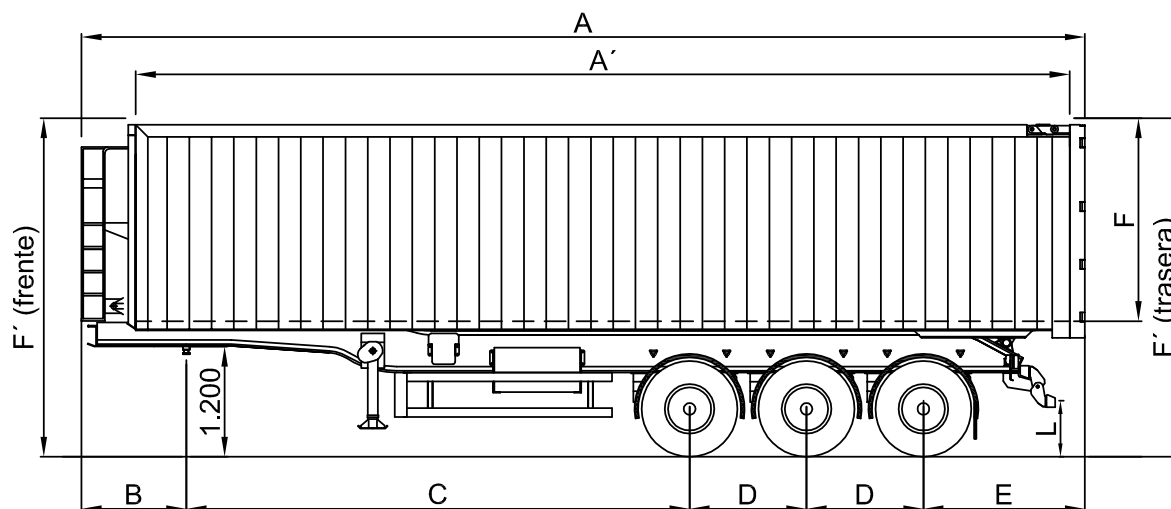
105 CISNE

CHASIS: 10270 / 1000 / 1000 CISNE

GAMA GP



| modelo | m3 | A (*) | A´ | B | C | D | E (*) | L | F | FF | FT | cilindro | α | G (*) | H |
|-------------|------|--------|--------|-------|-------|-------|-------|-----|-------|-------|-------|----------|------|-------|-------|
| GP105 H1800 | 46.1 | 11.188 | 10.400 | 1.174 | 5.650 | 1.310 | 1.744 | 448 | 1.800 | 3.307 | 3.225 | OLESA | 40,5 | 440 | 9.156 |
| GP105 H1900 | 48.6 | 11.188 | 10.400 | 1.174 | 5.650 | 1.310 | 1.744 | 448 | 1.900 | 3.407 | 3.325 | OLESA | 40,5 | 415 | 9.232 |
| GP105 H2000 | 51.2 | 11.188 | 10.400 | 1.174 | 5.650 | 1.310 | 1.744 | 448 | 2.000 | 3.507 | 3.425 | OLESA | 40,5 | 391 | 9.309 |
| GP105 H2100 | 53.7 | 11.188 | 10.400 | 1.174 | 5.650 | 1.310 | 1.744 | 448 | 2.100 | 3.607 | 3.525 | OLESA | 40,5 | 367 | 9.385 |
| GP105 H2200 | 56.3 | 11.188 | 10.400 | 1.174 | 5.650 | 1.310 | 1.744 | 448 | 2.200 | 3.707 | 3.625 | OLESA | 40,5 | 342 | 9.461 |
| GP105 H2300 | 58.8 | 11.188 | 10.400 | 1.174 | 5.650 | 1.310 | 1.744 | 448 | 2.300 | 3.807 | 3.725 | OLESA | 40,5 | 318 | 9.537 |
| GP105 H2400 | 61.4 | 11.188 | 10.400 | 1.174 | 5.650 | 1.310 | 1.744 | 448 | 2.300 | 3.907 | 3.825 | OLESA | 40,5 | 294 | 9.612 |

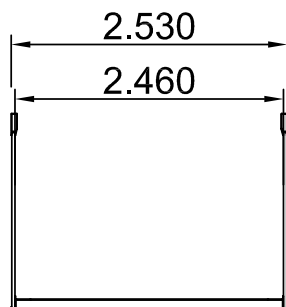


(*) DATOS CON PUERTA UNIVERSAL CON GOMA; CON PUERTA OSCILANTE CON GOMA - DISMINUYEN LAS COTAS A y E 80 mm
- AUMENTA LA COTA G 100 mm

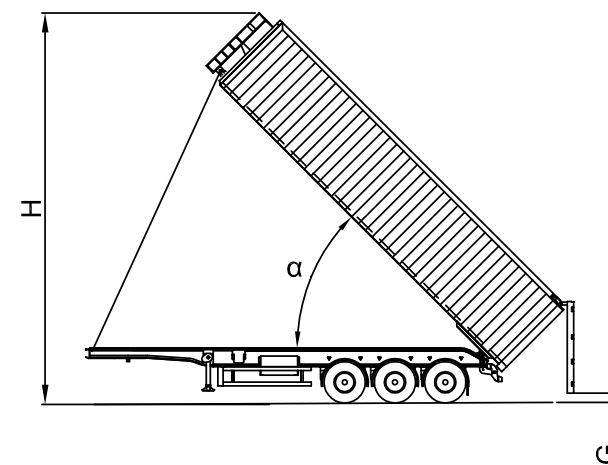
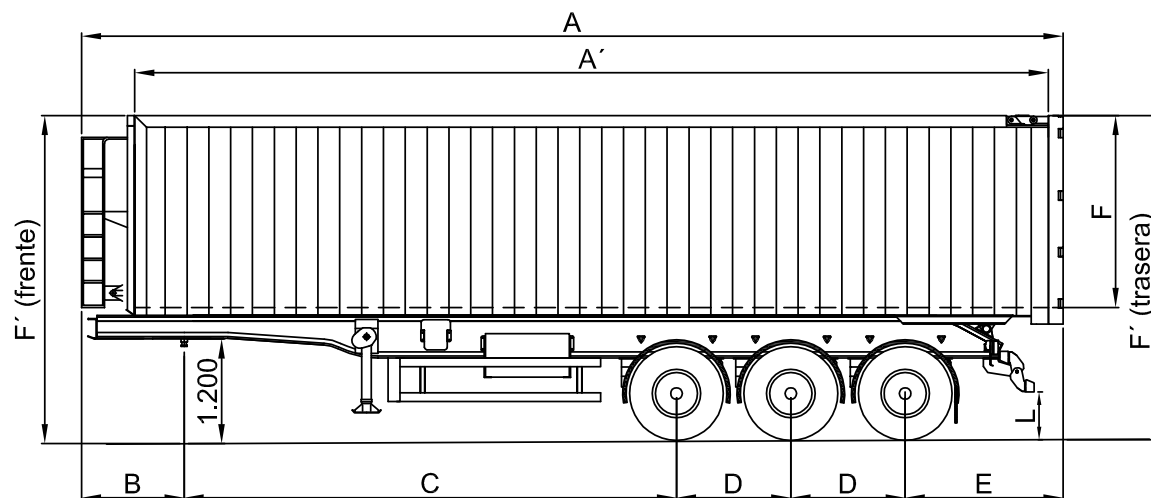
115 RECTO

CHASIS: 11270 / 1000 / 1250 RECTO

GAMA GP



| modelo | m3 | A (*) | A' | B | C | D | E (*) | L | F | FF | FT | cilindro | α | G (*) | H |
|-------------|------|--------|--------|-------|-------|-------|-------|-----|-------|-------|-------|----------|----|-------|--------|
| GP115 H1800 | 50.5 | 12.188 | 11.400 | 1.174 | 6.400 | 1.310 | 1.944 | 523 | 1.800 | 3.380 | 3.300 | OLESA | 42 | 472 | 10.055 |
| GP115 H1900 | 53.3 | 12.188 | 11.400 | 1.174 | 6.400 | 1.310 | 1.944 | 523 | 1.900 | 3.480 | 3.400 | OLESA | 42 | 447 | 10.126 |
| GP115 H2000 | 56.1 | 12.188 | 11.400 | 1.174 | 6.400 | 1.310 | 1.944 | 523 | 2.000 | 3.580 | 3.500 | OLESA | 42 | 421 | 10.200 |
| GP115 H2100 | 58.9 | 12.188 | 11.400 | 1.174 | 6.400 | 1.310 | 1.944 | 523 | 2.100 | 3.680 | 3.600 | OLESA | 42 | 395 | 10.275 |
| GP115 H2200 | 61.7 | 12.188 | 11.400 | 1.174 | 6.400 | 1.310 | 1.944 | 523 | 2.200 | 3.780 | 3.700 | OLESA | 42 | 368 | 10.349 |
| GP115 H2300 | 64.5 | 12.188 | 11.400 | 1.174 | 6.400 | 1.310 | 1.944 | 523 | 2.300 | 3.880 | 3.800 | OLESA | 42 | 342 | 10.423 |
| GP115 H2400 | 67.3 | 12.188 | 11.400 | 1.174 | 6.400 | 1.310 | 1.944 | 523 | 2.300 | 3.980 | 3.900 | OLESA | 42 | 316 | 10.498 |

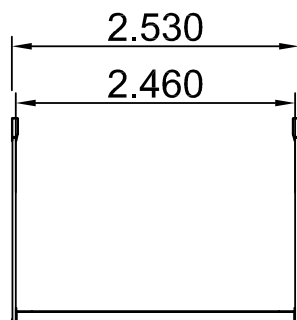


(*) DATOS CON PUERTA UNIVERSAL CON GOMA; CON PUERTA OSCILANTE CON GOMA - DISMINUYEN LAS COTAS A y E 80 mm
 - AUMENTA LA COTA G 100 mm

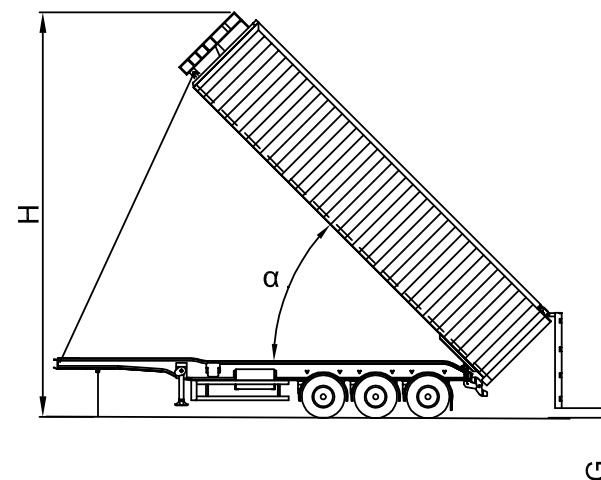
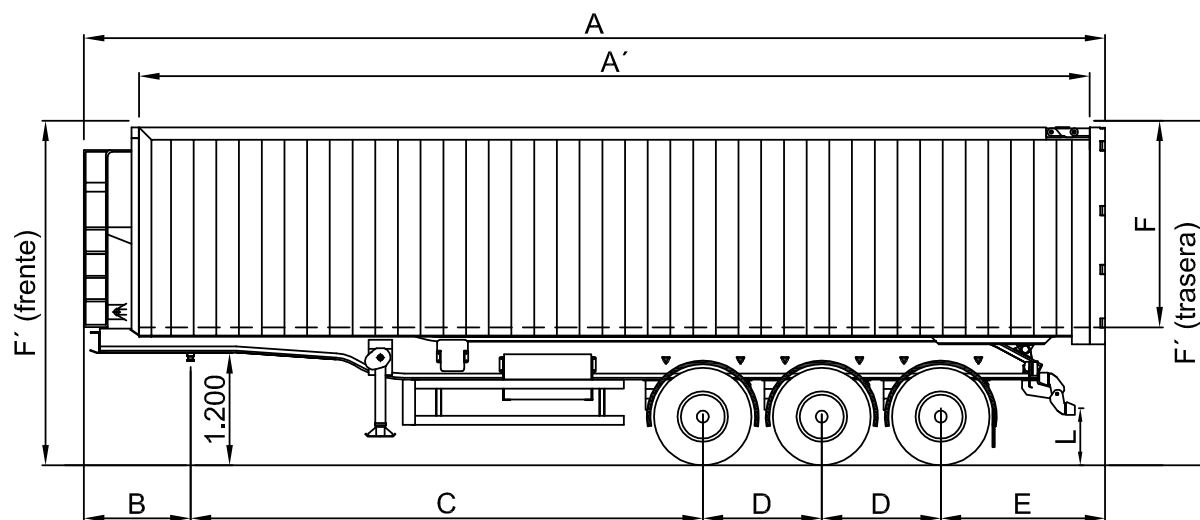
115 CISNE

CHASIS: 11270 / 1000 / 1250 CISNE

GAMA GP



| modelo | m3 | A (*) | A' | B | C | D | E (*) | L | F | FF | FT | cilindro | α | G (*) | H |
|-------------|------|--------|--------|-------|-------|-------|-------|-----|-------|-------|-------|----------|------|-------|--------|
| GP115 H1800 | 50.5 | 12.188 | 11.400 | 1.174 | 6.400 | 1.310 | 1.944 | 448 | 1.800 | 3.306 | 3.225 | OLESA | 41,8 | 402 | 9.961 |
| GP115 H1900 | 53.3 | 12.188 | 11.400 | 1.174 | 6.400 | 1.310 | 1.944 | 448 | 1.900 | 3.406 | 3.325 | OLESA | 41,8 | 375 | 10.035 |
| GP115 H2000 | 56.1 | 12.188 | 11.400 | 1.174 | 6.400 | 1.310 | 1.944 | 448 | 2.000 | 3.506 | 3.425 | OLESA | 41,8 | 349 | 10.110 |
| GP115 H2100 | 58.9 | 12.188 | 11.400 | 1.174 | 6.400 | 1.310 | 1.944 | 448 | 2.100 | 3.606 | 3.525 | OLESA | 41,8 | 323 | 10.184 |
| GP115 H2200 | 61.7 | 12.188 | 11.400 | 1.174 | 6.400 | 1.310 | 1.944 | 448 | 2.200 | 3.706 | 3.625 | OLESA | 41,8 | 298 | 10.259 |
| GP115 H2300 | 64.5 | 12.188 | 11.400 | 1.174 | 6.400 | 1.310 | 1.944 | 448 | 2.300 | 3.806 | 3.725 | OLESA | 41,8 | 272 | 10.334 |
| GP115 H2400 | 67.3 | 12.188 | 11.400 | 1.174 | 6.400 | 1.310 | 1.944 | 448 | 2.300 | 3.906 | 3.825 | OLESA | 41,8 | 245 | 10.408 |



(*) DATOS CON PUERTA UNIVERSAL CON GOMA; CON PUERTA OSCILANTE CON GOMA - DISMINUYEN LAS COTAS A y E 80 mm
- AUMENTA LA COTA G 100 mm